

S SERIES SCREEN

Screen Range



Unlimited Solutions
for Limited Resources

S Series Screen



Screen Features

Design

The Striker screen has been designed for medium to heavy duty scalping, sizing, washing, for use in the mining, quarry and recycling industries. The screen features a two bearing mechanism with a spring loaded counterweight assembly designed to enable easy starting, smooth operation and stopping.

Maintenance when required to be carried out as simply and as quickly as possible in the field. Extra attention is given to the design of the screens vibrating mechanism, with high load carrying capacity roller bearings together and their mounting cartridge can be assembled in a dust free environment and simply fitted to the screen in the field as a complete unit.

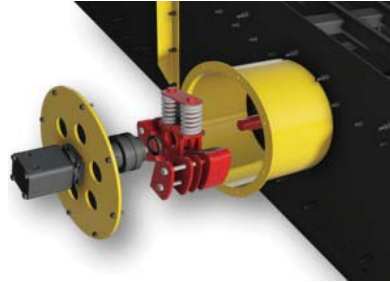
The mechanism has been located to give maximum screening efficiency and the amplitude can be easily adjusted thru the addition or subtraction of counter weights, the spring loaded mechanism gives smooth operation and lowers the required starting torque of the screen.

Easy access to the screening medium, and removable by loosening the side clamp plates and removing the screen medium out through either the discharge or feed end of the screen.

Mounting arrangements for the Striker "S" series screen are adjustable with ranges from 15 degrees to 25 degrees, the mounts are an integral part of the screen structure and are set to your required angle at time of manufacture.

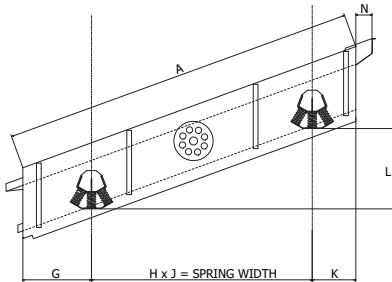
Benefits

- Reduced field maintenance.
- Long bearing life with high quality bearings.
- Spring loaded centrifugal counterweight assembly.
- 25% to 30% lower power requirements.
- High quality surface protection.
- Dust cover options available.
- Suitable for all applications.

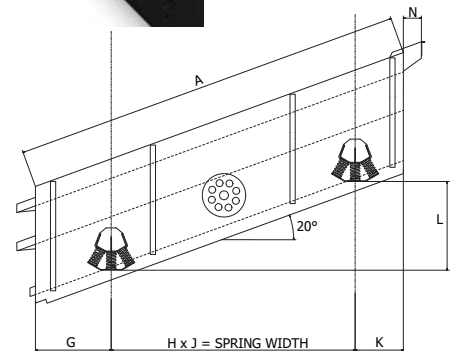


1 and 2 Deck Screen

Single deck screens the bottom mesh frame is replaced by an open frame.



3 Deck Screen



Dimensions and Weights

Screen Size		Nominal Weight Tonnes			Motor Power kW			Dimensions mm							1, 2 and 3 Deck			
mm	(feet)	1 Deck	2 Deck	3 Deck	1 Deck	2 Deck	3 Deck	A	G	All Screens			H	J	K	L	N	Screen Width
1800 X 1200	(6 X 4)	1.2	1.3	-	4	4	-	1930	189	1408	1480	217	513	286				1219
2400 X 1200	(8 X 4)	1.3	1.5	1.9	4	5.5	5.5	2540	392	1575	1480	420	573	286				1219
3000 X 1200	(10 X 4)	1.5	1.7	2.3	5.5	5.5	7.5	3150	392	2148	1480	420	781	286				1219
3600 X 1200	(12 X 4)	1.7	2.0	2.7	7.5	7.5	7.5	3759	392	2721	1480	420	991	286				1219
3000 X 1500	(10 X 5)	1.6	2.0	2.7	5.5	5.5	7.5	3150	392	2148	1784	420	781	286				1524
3600 X 1500	(12 X 5)	1.9	2.3	3.0	5.5	7.5	11	3759	392	2721	1784	420	991	286				1524
4200 X 1500	(14 X 5)	2.1	2.5	3.8	7.5	7.5	11	4369	392	3294	1784	420	1199	286				1524
4900 X 1500	(16 X 5)	2.5	3.1	4.2	7.5	11	15	4978	392	3867	1788	420	1408	286				1524
4900 X 1800	(16 X 6)	2.7	3.4	4.5	11	11	15	4978	392	3867	1788	420	1408	286				1829
5500 X 1800	(18 X 6)	4.3	5.1	6.6	15	15	15	5674	706	4010	2184	618	1459	305				1829
6100 X 1800	(20 X 6)	4.4	5.4	6.9	15	15	22	6283	848	4296	2184	760	1564	305				1829
5500 X 2100	(18 X 7)	4.8	5.8	7.7	15	18.5	22	5674	706	4010	2489	618	1459	305				2134
6100 X 2100	(20 X 7)	5.0	6.1	8.1	15	18.5	22	6283	848	4296	2489	760	1564	305				2134
5500 X 2400	(18 X 8)	4.9	6.0	7.9	15	18.5	22	5674	706	4010	2794	618	1459	305				2439
6100 X 2400	(20 X 8)	5.1	6.3	8.4	15	18.5	30	6283	848	4296	2794	760	1564	305				2439
7200 X 2400	(24 X 8)	5.5	6.9	9.4	18.5	30	30	7503	848	5443	2794	760	2566	305				2439



STRIKER AUSTRALIA Pty Ltd

Perth Office: 9 Egmont Road Henderson WA 6166, Australia Ph: +61 8 9437 3533 Fax: +61 8 9437 3544

Brisbane Office: 26 Leonard Crescent Brendale Queensland 4500, Australia Ph: +61 7 3881 1227 Fax: +61 7 3881 1996

STRIKER CRUSHING & SCREENING Sdn. Bhd.

Malaysia Office: Plot No. 44, PT8286, Jalan Johan 2/4, Estate Perindustrian Pengkalan 2, Fasa 2, 31550 Pusing, Batu Gajah, Perak. Ph: +605 366 8188 Fax: +605 365 2688

STRIKER ENGINEERING MACHINERY (SHENYANG) Co., Ltd.

China Office: Room 3010, Royal WanXin International Mansion, 110003 Shenyang, China. Ph: +86 (24) 2353 4388 Fax: +86 (24) 2353 4288

E-mail: info@strikercrushing.com Website: www.strikercrushing.com

All reasonable steps have been taken to ensure the accuracy of this publication. However, due to our policy of continual product development, Striker reserve the right to change details without prior notice. All machines supplied in accordance with our standard conditions. Illustrations and photos may show optional equipment.