



STRIKER HMI312

Impactor



Unlimited Solutions
for Limited Resources

MINING RANGE

Tracked Impact Crushers



Tracked Plant Features

Vibrating Grizzly Feeder

Feeding the materials into the Impact Crusher and/or fines chute is a vibrating grizzly feeder including :

Vibrating Unit

Twin shaft exciter is mounted under the rear of the vibrating feeder. This is driven by a single hydraulic motor and produces a forward linear motion.

Pan

The feeder floor is fitted with hardox 400 bolted replaceable wear liners. These extend the quality and life of the feeder.

Grizzly Section

The grizzly section is a double step grizzly that is easily removed.

Feed Hopper

The feed hopper is manufactured from Mild steel and is fitted with Hardox 400 liners. To raise and lower the wings, hydraulic cylinders are used to bring the travelling height down to a minimum and allow for maintenance to the vibrating feeder.

Track Frame

The track is manufactured from heavy-duty frame steel having 4.2m longitudinal centres along with 500 wide tracks as a standard with an overall track width of 3m.

Forward Product Conveyor

The forward product conveyor or main conveyor is a 1200mm wide, troughed belt conveyor with a fixed tail section and a discharge height of 3.4m high. The belt is driven via a hydraulic drive motor.

Side Discharge Conveyor

600mm wide giving a discharge height of approximately 2.1m. The belt is driven via a hydraulic drive motor. The side discharge dirt conveyor is hydraulic folding (optional).

Fines Transfer Chute

Fitted beneath the vibrating grizzly is the fines transfer chute. This chute transfers the material passing the grizzly bar setting

onto either the forward product conveyor or the side discharge conveyor. Material can also be blended if required.

Magnet

A magnetic cross-belt separator is suspended over the on-plant product conveyor and is complete with permanent magnet and a hydraulic drive (optional).

Powerpack

CATERPILLAR model C13 engine with electronic governing and emission control powers the plant. Rated at 425 bHP (317 kW) @ 2000 rpm designed to drive the impactor via a KPTO transmission.

Extra Heavy Duty Rotor

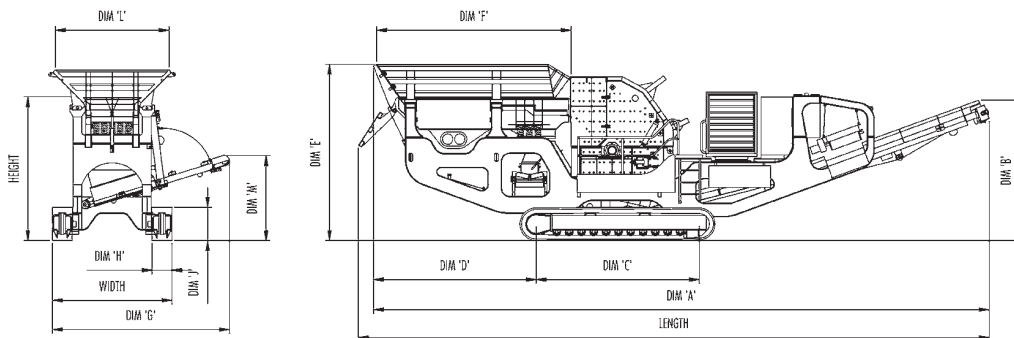
SCE - HD Impact Crushers incorporate heavyduty open disc style rotors with four blow bars as a standard. Absorbing energy generated by impacting forces is the key to success in crushing large feed sizes. Providing high inertia ensures optimum crushing is achieved. The rotor is supported by bearings mounted in suitable solid housings manufactured from steel blocks with self-purging labyrinth seals.

Hydraulic Impact Arms

Impact plates are identical cast blocks that are interchangeable, thereby permitting optimum utilization. Gap settings between impact arm and rotor are adjusted via hydraulics to allow the product size to be controlled. Hydraulic pressure on the impact arms is pre-set to resist the passage of uncrushed material through the impactor. If overloading, power failure, etc. causes material to exceed the pre-set pressure the impact arms retract in a controlled manner. Following completion of the retraction movement, the arm returns to its set gap position.

Options

Special features are available depending on the client's requirements. A few examples; A conveyor weigh scale, extended hopper wings, side conveyor, variable feed configuration for the crusher for secondary/tertiary applications. Engine fire suppression, dust suppression, optimax feed controller.



MODEL	WORKING DIMENSIONS										TRANSPORT				
	A	B	C	D	E	F	G	H	J	L	M	WIDTH	HEIGHT	LENGTH	WEIGHT
HM1312	15430	3520	4090	4080	4400	4850	4440	500	850	2850	2130	3000	4100	15800	53 T

* - WEIGHT VARIABLE WITH OPTIONS

STRIKER AUSTRALIA Pty Ltd

Perth Office: 9 Egmont Road Henderson WA 6166, Australia Ph: +61 8 9437 3533 Fax: +61 8 9437 3544

Brisbane Office: 26 Leonard Crescent Brendale Queensland 4500, Australia Ph: +61 7 3881 1227 Fax: +61 7 3881 1996

STRIKER CRUSHING & SCREENING Sdn. Bhd.

Malaysia Office: Plot No. 44, PT8286, Jalan Johan 2/4, Estate Perindustrian Pengkalan 2, Fasa 2, 31550 Pusing, Batu Gajah, Perak. Ph: +605 366 8188 Fax: +605 365 2688

STRIKER ENGINEERING MACHINERY (SHENYANG) Co., Ltd.

China Office: Room 3010, Royal WanXin International Mansion, 110003 Shenyang, China. Ph: +86 (24) 2353 4388 Fax: +86 (24) 2353 4288

E-mail: info@strikercrushing.com Website: www.strikercrushing.com

All reasonable steps have been taken to ensure the accuracy of this publication. However, due to our policy of continual product development, Striker reserve the right to change details without prior notice. All machines supplied in accordance with our standard conditions. Illustrations and photos may show optional equipment.

